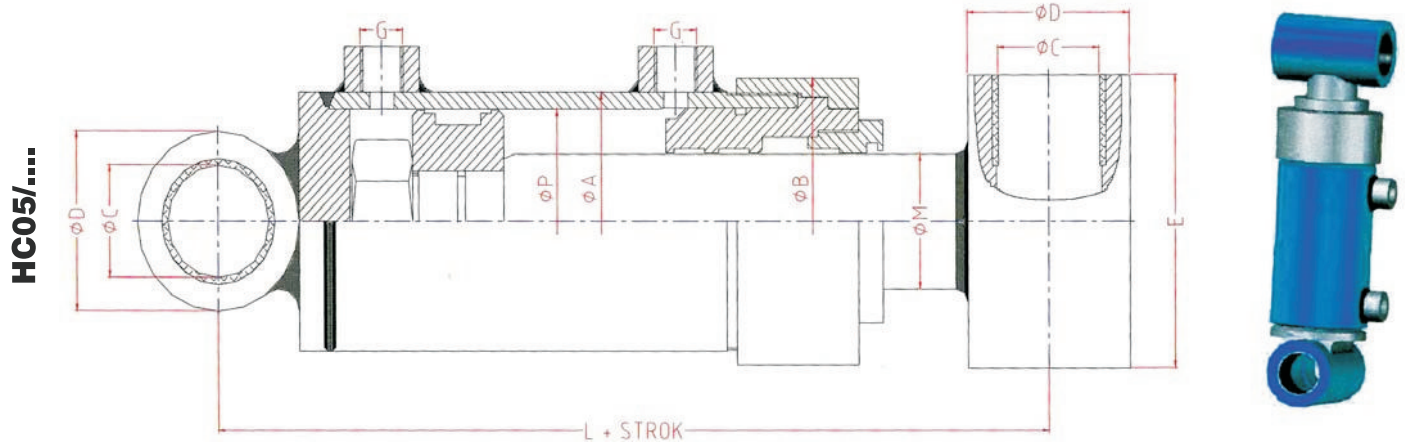
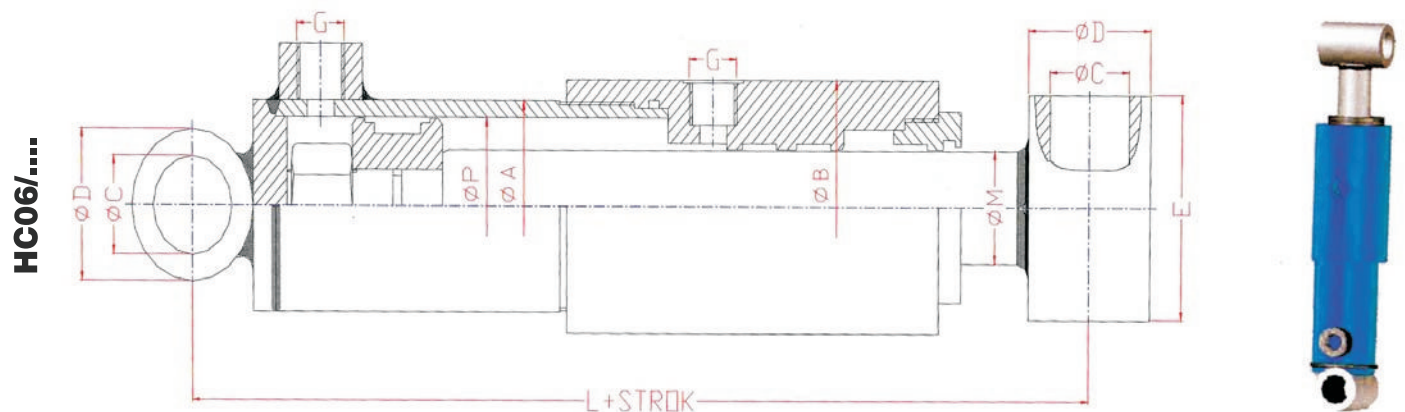


ÇİFT ETKİLİ HİDROLİK SİLİNDİRLER (Double acting hydraulic cylinders)

Двух действенный Гидравлический цилиндры



PİSTON	M	A	B	C	D	E	L	G
Ø90	60	110	123	50	80	120	300	R 1/2"
Ø100	60	120	133	50	80	130	310	R 1/2"
Ø100	70	120	133	50	80	130	310	R 1/2"
Ø115	70	130	143	60	90	140	320	R 1/2"
Ø125	80	150	163	60	90	160	340	R 1/2"
Ø140	80	165	178	60	90	175	350	R 3/4"
Ø160	90	190	203	70	110	200	370	R 3/4"



PİSTON	M	A	B	C	D	E	L	G
Ø50	40	60	65	30	50	70	260	R 1/2"
Ø63	40	75	90	35	55	85	260	R 1/2"
Ø63	45	75	90	35	55	85	270	R 1/2"
Ø70	50	85	100	40	60	95	290	R 1/2"
Ø80	50	95	110	40	60	105	290	R 1/2"